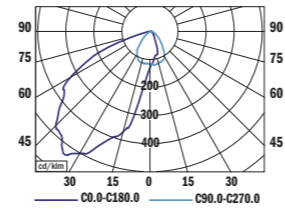
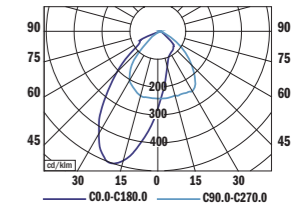


UX-PROJECTOR V1



LOR=64.6%

UX-PROJECTOR K1



LOR=78.9%

UX-PROJECTOR V1 ASYMMETRIC HI/HS

230 V 50 Hz	220-240V 50-60Hz	HI E 40	HS E 40	HI RX7s	HS RX7s	CCG	ECG

CONSTRUCTION

Housing: die cast aluminium, grey. Two size variants of the luminaire.

Reflector: asymmetrical aluminium reflector with mat surface finish

Reflector cover: hardened safety glass
Luminaire coverage IP65 is secured by silicon sealant under the glass. Console mounted with assembly openings, adjustable luminaire angle.

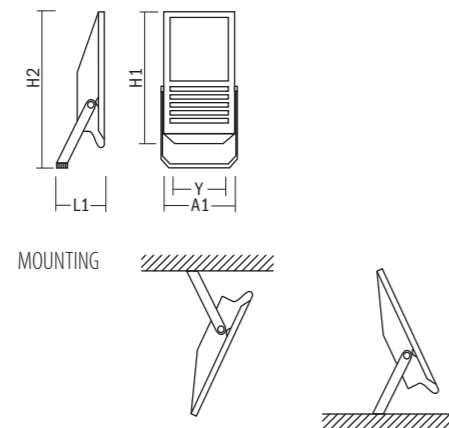
ELECTRICAL COMPONENTS

The luminaire can be equipped with conventional magnetic ballast with igniter (standardly compensated) or electronic ballast (up to 150W). Ceramic holder, opening with a reducing adapter for input of the supply wire

ACCESSORIES

- safety starter

	OPTIC SYMMETRIC	POWER	LAMP	DIMENSIONS				FIXING POINTS Y	EMERGENCY	
				A1	L1	H1	H2		1H	3H
UX-Projector V1	•	70	HI	235	90	360	440	100	-	-
UX-Projector V1	•	150	HI	235	90	360	440	100	-	-
UX-Projector V1	•	70	HS	235	90	360	440	100	-	-
UX-Projector V1	•	150	HS	235	90	360	440	100	-	-
UX-Projector V1	•	250	HI	395	145	585	695	210	-	-
UX-Projector V1	•	400	HI	395	145	585	695	210	-	-
UX-Projector V1	•	250	HS	395	145	585	695	210	-	-
UX-Projector V1	•	400	HS	395	145	585	695	210	-	-



UX-PROJECTOR K1 ASYMMETRIC HI/HS

230 V 50 Hz	220-240V 50-60Hz	HI E 40	HS E 40	CCG	F	IP65
----------------	---------------------	------------	------------	-----	---	------

CONSTRUCTION

Housing: die cast aluminium, grey

Reflector: asymmetrical aluminium reflector with mat surface finish

Reflector cover: hardened safety glass

Luminaire coverage IP65 is secured by silicon sealant under the glass. Console mounted with assembly openings, adjustable luminaire angle.

ELECTRICAL COMPONENTS

The luminaire can be equipped with conventional magnetic ballast with igniter (standardly compensated) or electronic ballast (up to 150W). Ceramic holder, opening with a reducing adapter for input of the supply wire

ACCESSORIES

- safety starter

	OPTIC SYMMETRIC	POWER	LAMP	DIMENSIONS				FIXING POINTS Y	EMERGENCY	
				A1	L1	H1	H2		1H	3H
UX-Projector K1	•	250	HI	375	160	485	510	145	-	-
UX-Projector K1	•	250	HS	375	160	485	510	145	-	-

